

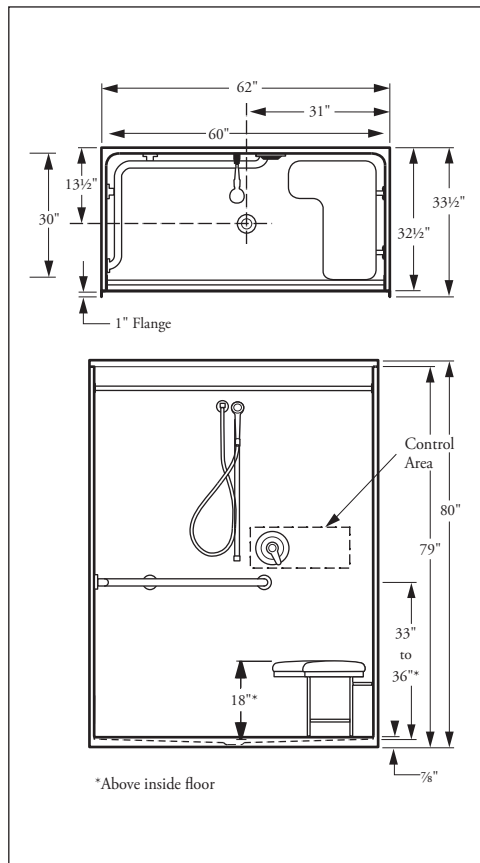


ADA
COMPLIANT*

CALIFORNIA
ADA
COMPLIANT*

Note: Units sold in CA

DO NOT come with a slide bar.
Instead a stationary wall hook
will be installed per CA-ADA
requirements (2008).



Specify Right or Left Hand Seat

**Dimensions may vary $\pm 1/4$ " inch.
Please check unit before installation.**

For barrier-free installation, contractor shall provide
 $5/8$ " minimum recess for curb in sub floor.

ADA compliance when accessories installed by manufacturer.
Note: Exterior floor drain for water run-off recommended.
Symmons® is a Registered Trade Mark of Symmons Industries, Inc.
Moen® is a Registered Trade Mark of Moen Corporation.

Dimensions subject to
change without notice.

Contact Florestone
Products to verify
product specifications.

**Florestone
Model 35-62H
Barrier-Free Shower**

O.D. = 62" x 33 1/2" x 80"

I.D. = 60" x 31 1/2" x 79"

Weight: 280 lbs.

**Architect's
Specifications**

Furnish and install one-piece gel-coated fiberglass shower stall Model 35-62H designed for barrier-free use as manufactured by Florestone Products Company. Basic shower will conform to ANSI-Z-124.2. Unit to include stainless steel curtain rod; Symmons® pressure balance mixing valve with concealed check stops; Moen® hand-held shower head with hose and chrome-plated slide bar; stainless steel corner grab bar; stainless steel recessed soap dish; white naugahyde folding wheelchair transfer seat (specify right or left hand).

Supplied with 2" brass drain.

Shower curtain optional.

Curtain Size: 72" x 78".

Standard Color: White.

Special order colors available.

Standards:

I.A.P.M.O. File No. 0687
ANSI-Z-124.2



FLORESTONE PRODUCTS CO., INC.

2851 Falcon Drive • Madera, CA 93637

T. 559.661.4171 • T. 800.446.8827

F. 559.661.2070 • florestone.com